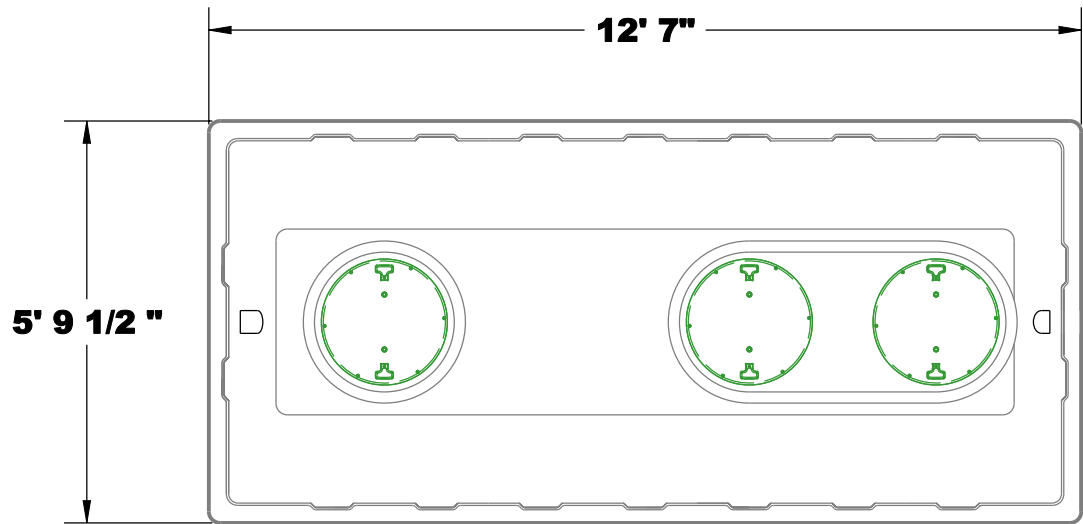


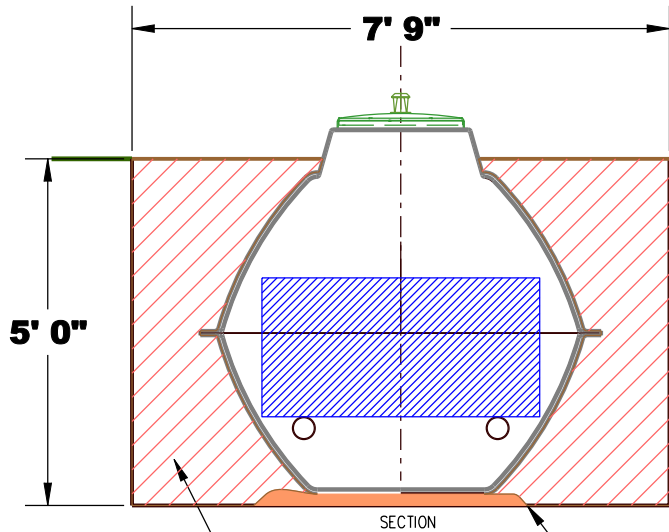


plant requires 110v AC supply from accessible 15A breaker

A garden hose outlet should be positioned close to the plant for use during service.

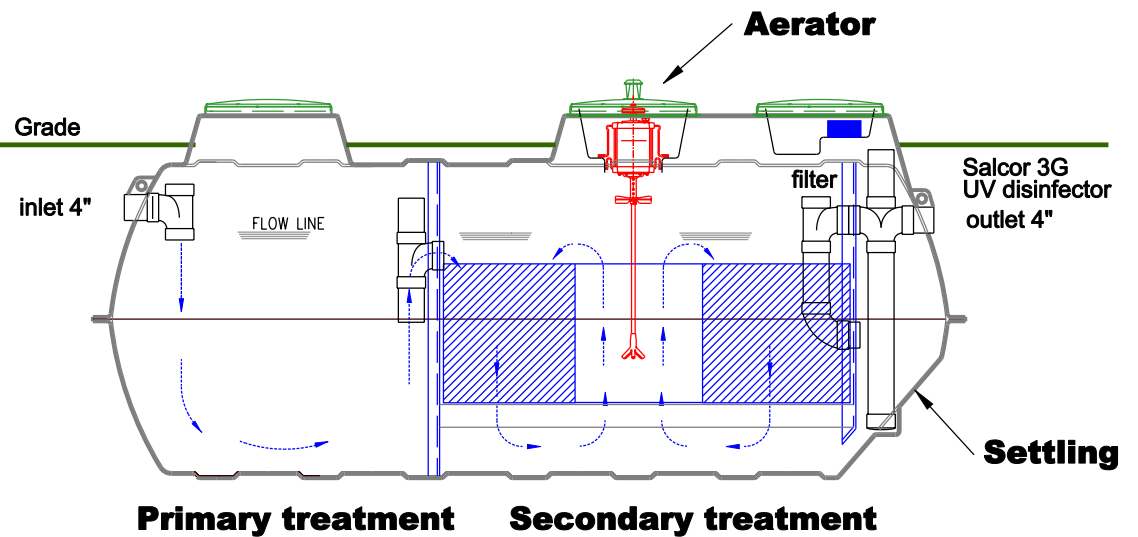


Typical section



selected backfill

sand bed 2"



Jet inc/ Fibre-Zone waste water treatment plant J1000 F-Z